



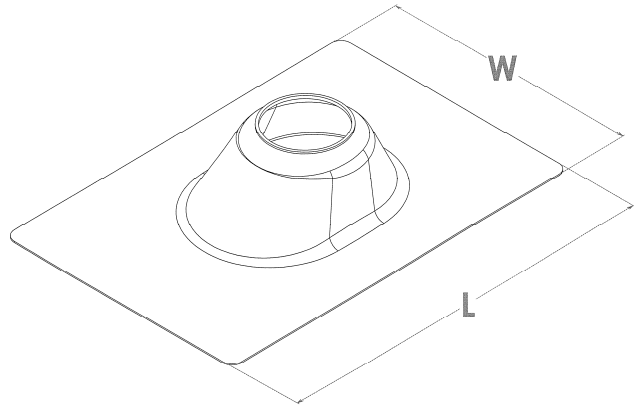
4675 West 160th St
Cleveland, OH 44135
PH: 1.800.321.9532
FX: 1.800.321.9535

ENGINEERING SUBMITTAL

UNI-SEAL™ FLEX ROOF FLASHINGS

Job Reference

Engineering Specification: Arfco Uni-Seal Flex Roof Flashings can be used in commercial and residential applications where a watertight seal for roof penetrations around the plumbing vent pipe is required.



(All dimensions in inches)

- ◆ Roof Flashing slides over vent pipe for pitch to 40°
- ◆ Flexible base conforms to most flat or contoured roof surfaces including clay tile
- ◆ Non-fading sealing collar
- ◆ Approved for Type B installations
- ◆ Not for hot-mopped or built-up roofs
- ◆ Do not use petroleum based products on Uni-Seal products
- ◆ All Roof Flashings are shipped 12 per carton

✓	Product No.	Description	Length (L)	Width (W)
	30101	1-1/4" - 1-1/2" Uni-Seal Flex Roof Flashing	11-1/4"	9"
	30102	2" Uni-Seal Flex Roof Flashing	11-1/4"	9"
	30103	3" Uni-Seal Flex Roof Flashing	13-1/4"	10"
	30104	4" Uni-Seal Flex Roof Flashing	14"	11-1/2"



IAPMO Listed

Data is subject to manufacturing tolerances.