



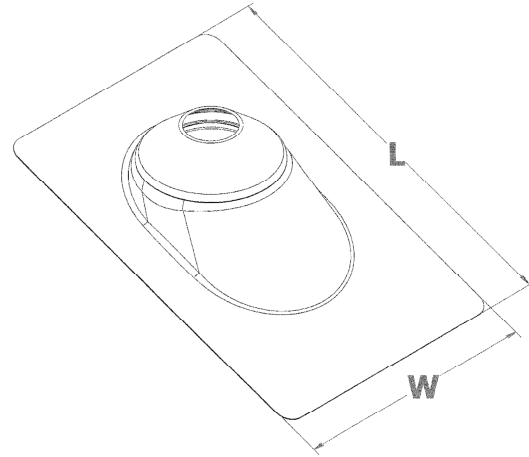
1903 Exchange Dr.  
Arlington, TX 76011  
PH:1-800-321-9532  
FX:1-800-321-9535

TECHNICAL SPECIFICATION

**MULTI-SIZE™  
SELF-SEAL®  
ROOF FLASHINGS**

Job Reference

**Engineering Specification:** Arfco Multi-Size Self-Seal Roof Flashings can be used in commercial and residential applications where a watertight seal for roof penetrations around the plumbing vent pipe is required.



(All dimensions in inches)

- ◆ Plastic Base Roof Flashing slides over DWV pipe for pitch to 45°
- ◆ Metal Base Roof Flashing slides over DWV pipe for pitch to 40°
- ◆ Patented Multi-Size collar has tear-away ring allowing flashing to seal different pipe diameters
- ◆ Aluminum base flashings are made of stamped aluminum
- ◆ Galvanized base flashings are made of galvanized steel
- ◆ Plastic base flashings are made of rigid thermoplastic
- ◆ Copper base flashings are made of heavy gauge copper
- ◆ Non-fading sealing collar
- ◆ Approved for Type B installations
- ◆ Not for hot-mopped or built-up roofs
- ◆ Do not use petroleum based products on plastic bases or rubber collars
- ◆ All Roof Flashings are shipped 12 per carton

✓	Product No.	Description	Length (L)	Width (W)
	12109	1 1/2" – 3" Aluminum Self-Seal Roof Flashing	14-1/2"	11"
	12110	3" - 4" Aluminum Self-Seal Roof Flashing	15-1/2"	12"
	12209	1 1/2" – 3" Galvanized Self-Seal Roof Flashing	14-1/2"	11"
	12210	3" – 4" Galvanized Self-Seal Roof Flashing	15-1/2"	12"
	12403	1 1/4" – 1 1/2" Copper Self-Seal Roof Flashing	14-1/2"	11"
	12404	2" Copper Self-Seal Roof Flashing	15-1/2"	12"
	14185	1-1/2" – 3" Thermoplastic Self-Seal Roof Flashing	15"	11-1/4"
	14186	3"- 4" Thermoplastic Self-Seal Roof Flashing	16"	12"



IAPMO Listed

Data is subject to manufacturing tolerances.