



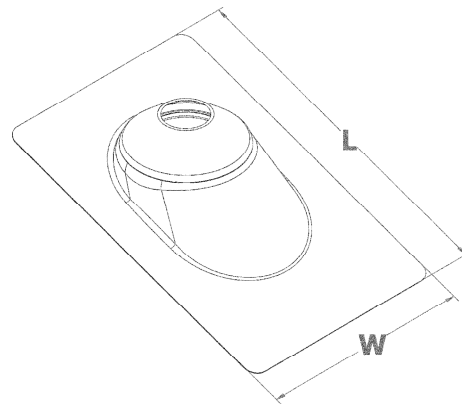
ENGINEERING SUBMITTAL

4675 West 160<sup>th</sup> St  
Cleveland, OH 44135  
PH: 1.800.321.9532  
FX: 1.800.321.9535

**MULTI-SIZE™ HIGH-RISE®  
THERMOPLASTIC BASE  
SELF-SEAL®  
ROOF FLASHINGS**

Job Reference

**Engineering Specification:** Arfco Multi-Size High-Rise Thermoplastic Self-Seal Roof Flashings can be used in commercial and residential applications where a watertight seal for roof penetrations around the plumbing vent pipe is required. High-Rise Roof Flashings have a larger draw than standard roof flashings and are ideal for steep pitched roofs.



(All dimensions in inches)

- ◆ Roof Flashing slides over DWV pipe for pitch to 60°
- ◆ Patented Multi-Size collar has tear-away ring allowing flashing to seal different pipe diameters
- ◆ Non-fading, non-cracking rigid black thermoplastic base
- ◆ Non-fading sealing collar
- ◆ Approved for Type B installations
- ◆ Not for hot-mopped or built-up roofs
- ◆ Do not use petroleum based products on plastic bases or rubber collars
- ◆ All High Rise Roof Flashings are shipped 6 per carton

✓	Product No.	Description	Length (L)	Width (W)
	14187	1 1/2" – 3" Multi-Size High-Rise Self-Seal Thermoplastic Roof Flashing	19"	11-1/4"
	14188	3" – 4" Multi-Size High-Rise Self-Seal Thermoplastic Roof Flashing	20"	13"



IAPMO Listed

Data is subject to manufacturing tolerances.