



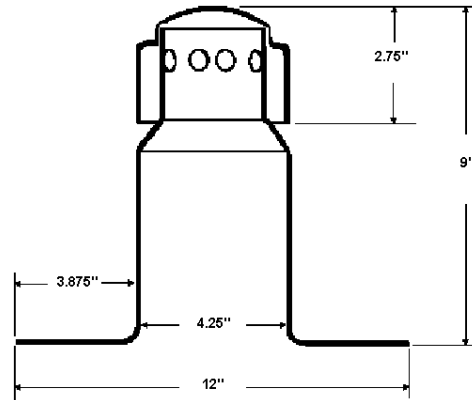
4675 West 160th St
Cleveland, OH 44135
PH: 1.800.321.9532
FX: 1.800.321.9535

ENGINEERING SUBMITTAL

SPUN ALUMINUM ROOF BREATHER

Job Reference

Engineering Specification: Arfco Aluminum Roof Breathers are used to relieve moisture vapor trapped within a roofing system. Moisture may have entered the system due to drying of lightweight insulating concrete materials, leaks, faulty vapor retarders, or during construction. Roof Breathers can prevent blistering, delamination, and billowing of the membrane, while helping to maintain thermal design efficiency. Roof Breathers are manufactured with a two-way valve, which opens to relieve moisture vapor pressure and then closes to prevent moisture from re-entering the system, as well as convective movement of air within the system.



- ◆ Aluminum Roof Breather is made of heavy gauge spun aluminum for BUR and modified bitumen applications
- ◆ Roof Breathers are manufactured with a two-way valve, which opens to relieve moisture vapor pressure and then closes to prevent moisture from re-entering the system, and allow convective movement of air within the system
- ◆ Locking vandal-proof cap prevents entry of wind-blown snow or rain
- ◆ Recommended installation spacing is one breather per 1000 square feet

✓	Product No.	Description	Pack	Carton Weight
	14730	Spun Aluminum Roof Breather, 2-Way	25	21

Data is subject to manufacturing tolerances.